



บริษัท ไมตี้ อีเลคทริก (ไทยแลนด์) จำกัด
MIGHTY ELECTRIC(THAILAND) CO.,LTD.

31/1 หมู่ 4 ถนนเอกชัย-บางบอน
ตำบลคอกกระบือ อำเภอเมืองสมุทรสาคร จังหวัดสมุทรสาคร 74000

โทร.034-823302, 034823303, 034451500, 034451501 แฟกซ์.034-823305 www.mighty-electric.com



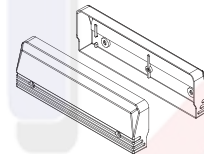
Channel Fitting with Acrylic Diffuser -Aluminium Reflector

MODEL : MPU240CS

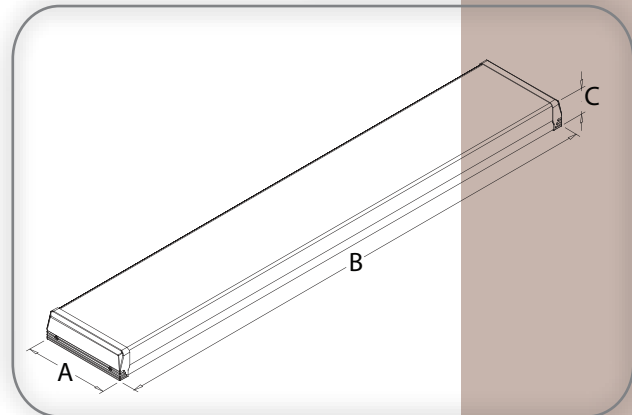
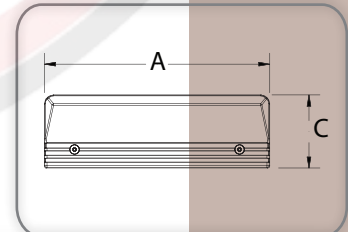


SPECIFICATION

- Housing :** Steel sheet thickness of 0.5-0.8 mm. And all metal parts are rust-proofed after fabrication to prevent any corrosion (zinc phosphate) and finished with high-grade epoxy polyester powder coating.
- Cover :** Steel sheet thickness of 0.5-0.8 mm. And all metal parts are rust-proofed after fabrication to prevent any corrosion (zinc phosphate) and finished with high-grade epoxy polyester powder coating.
- Diffuser :** Is made of prismatic acrylic with 2.5-3.0 mm. thickness Option diffuser : (**)
Clear = CS
- Lamp holder :** Rotary lock (G13) lamp holder certified by TISNO.344-2549.
- Starter holder :** Rotary lock certified by TIS NO.344-2549.
- Wire :** Thw size 1.0 sqmm. 70°c-105°c certified by TIS NO.11-2553.



Plastic Cover



TIS.902-2(1)-2557



TIS.1955-2551



ISO 9001



ISO 14001

DESCRIPTION

MODEL	POWER	DIMENSION (mm.)						Note : Subject +/- 2 mm. Hanging Hold (mm.)
		A	B	C	A1	B1	C1	
MPU240CS	2 x 36w. T8	200	1235	70				